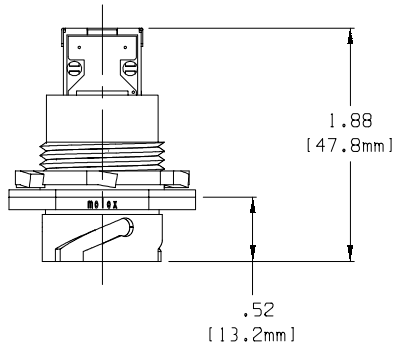
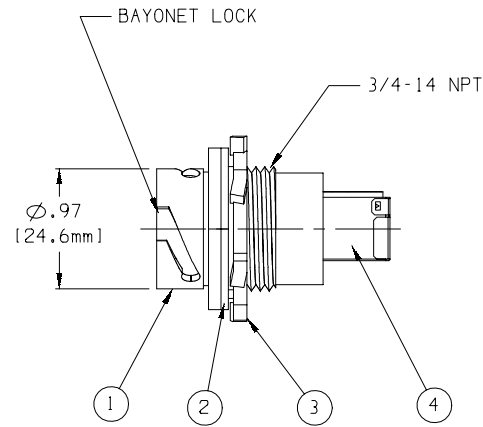
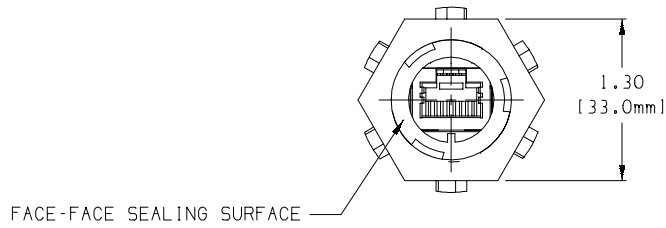
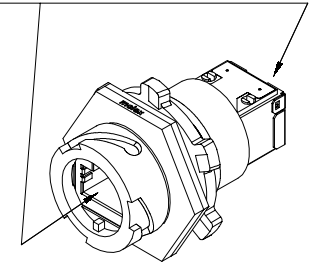


PANEL HOLE
REF. INFO.



RJ-45 JACK
(SHIELDED)



4	1	PCB ASSEMBLY, DUAL RECEPTACLE	PCB/MOD.JACK	
3	1	LOCKNUT	STEEL	ZINC
2	1	GASKET, PANEL	NEOPRENE	
1	1	RECEPTACLE, MOLDED	POLYESTER	BLACK
ITEM	QTY.	DESCRIPTION	MATERIAL	FINISH

EC NO. RELEASED DRAWN: R.STONE CHK'G: APP:	DESCRIPTION MAJOR CRITICAL SPC	GENERAL TOLERANCES: (UNLESS SPECIFIED)		SCALE 1:1	DESIGN UNITS <input type="checkbox"/> mm <input checked="" type="checkbox"/> INCH	THIRD ANGLE PROJECTION	
		4 PLACES	mm	INCH	DRAWN BY & DATE R.STONE 5-14-02	TITLE: RECEPTACLE, RJ45, BULKHEAD CIC INDUSTRIAL ETHERNET	
		3 PLACES	±.005		CHECKED BY & DATE	APPROVED BY & DATE	
		2 PLACES	±.01		1 PLACE	ANGULAR: ±2°	
DRAFT WHERE APPLICABLE MUST REMAIN WITHIN DIMENSIONS		CAD FILENAME SD-84700-0001		MATERIAL NO. 847000001	DRAWING NO. SD-84700-0001	SHEET NO. 1 OF 1	
THIS DRAWING CONTAINS INFORMATION THAT IS PROPRIETARY TO MOLEX INCORPORATED AND SHOULD NOT BE USED WITHOUT WRITTEN PERMISSION.						SIZE B	

PROJECT NO. E-620	1	-
DIMENSIONS:	SHT	REV
<input type="checkbox"/> mm INCH	<input checked="" type="checkbox"/> INCH mm	<input type="checkbox"/> mm ONLY
	REVISE ON CAD ONLY	



MOLEX INCORPORATED
GILFORD, NH, 03246